

HAHN LED MOTHER & CHILD FLOOR LAMP

ASSEMBLY INSTRUCTIONS

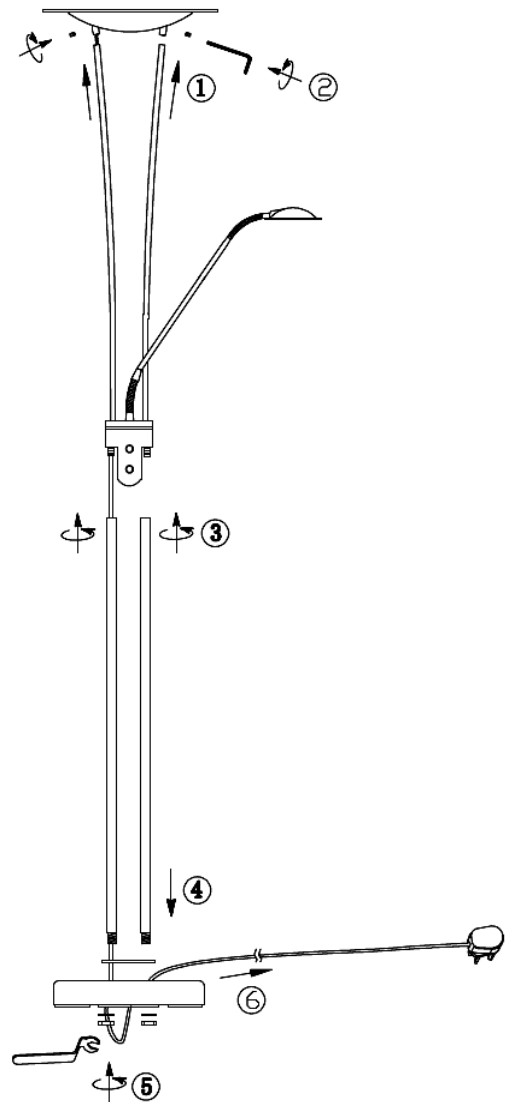
These instructions are provided for your safety.
Please read carefully before commencing work and retain for future reference.

SAFETY INFORMATION

- * The supply cable runs through the inside of this product. Take care not to place undue stress on the cable whilst unpacking to prevent the possibility of a poor connection.
- * If you are in any doubt consult a person competent to give advice on the assembly of electrical equipment.
- * If the external flexible cable of the lamp is damaged it shall be exclusively replaced by the manufacturer or his service agent or a similar qualified person in order to avoid a hazard.
- * Always unplug from the mains supply and allow the LED to cool down before handling.
- * The light source of this luminaire is not replaceable; when the light source reaches the end of its end of life the whole luminaire shall be replaced.
- * **The light source of this luminaire is not replaceable; when the light source reaches the end of its end of life the whole luminaire shall be replaced.**

ASSEMBLY

1. Unpack the product and remove all packaging. Take care not scratch the surface of the poles whilst removing the plastic wrapping. Ensure the ends of the poles or the plug do not scratch base.
2. Lay the product out on the floor, having previously covered it with a soft cloth to avoid damage to the flooring and product finish. One of the lower poles has a cable passing through it and the other is free. Assembly should take place with the product lying flat.
3. It may be necessary to remove protective packaging (plastic/cardboard) located at cable entry points of the product.
4. Insert ends of the curved upper poles into the two sockets on the underside of the lighting tray. ① Ensure stems are fully inserted. Secure in position by tightening the hex screws on each socket using the hex key provided. ②
5. Screw both lower poles into the central switch section. ③ Hold the poles parallel to avoid cross threading.
6. Gently pull excess cable out through centre of the base until lower poles almost touch the base.
7. Align lower poles and push the ends through the holes in the first bridging plate and through the base plate, through second bridging plate and base weight. ④ Fit washers over the threads and secure the poles by tightening the two retaining nuts. ⑤ Check alignment before tightening the retaining nuts fully.
8. Pull any excess cable out through the cable grip on the side of the base. Secure the cable by tightening the screw on the cable grip. ⑥ Take care not to over tighten the grub screw and damage the cable.
9. Ensure all the assembled parts are fully tightened then stand the lamp upright.
10. Your floor lamp is now ready for use.



GENERAL INFORMATION

This product is designed for internal use only. Do not use polish or abrasive cleaner – just a soft dry cloth.