

MENDAL MARBLE TABLE LAMP

These instructions are provided for your safety.

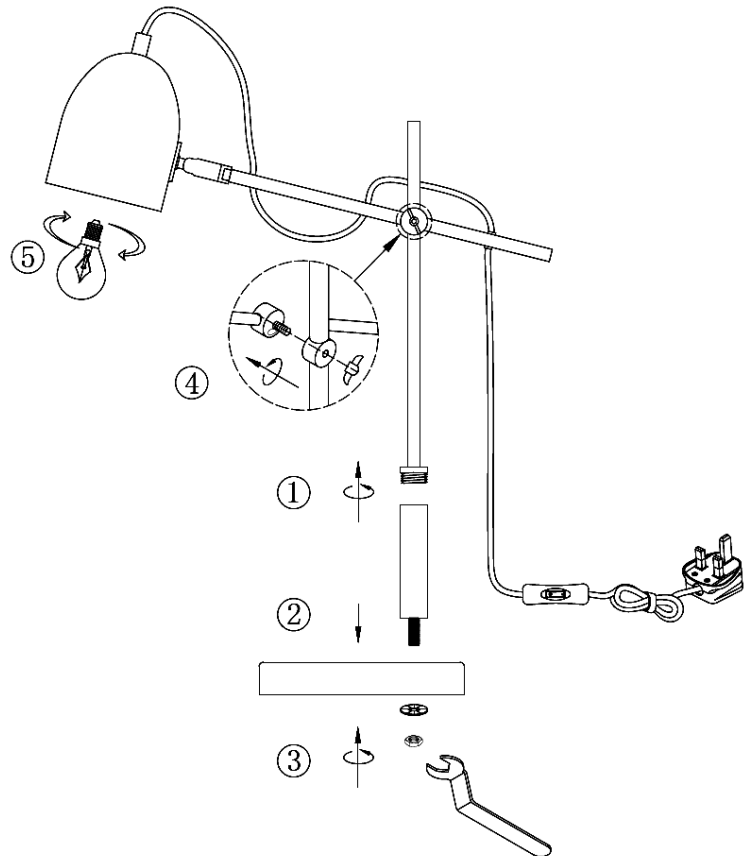
Please read carefully before commencing work and retain for future reference.

SAFETY INFORMATION

- * If you are in any doubt consult a person competent to give advice on the assembly of electrical equipment.
- * The supply cable runs through the inside of the floor stand, take care not to place undue stress on the cable whilst unpacking to prevent the possibility of a poor connection.
- * Always be sure to use the correct type and wattage of bulbs as indicated on the product.
- * If the external flexible cable of the lamp is damaged it shall be exclusively replaced by the manufacturer or his service agent or a similar qualified person in order to avoid a hazard.
- * When changing the bulb, always unplug at the mains and allow the old bulb to cool down before handling. Dispose of used bulbs carefully.

ASSEMBLY INSTRUCTIONS

1. Unpack the product and remove all packaging. Be careful not to scratch the surface of the product whilst removing the plastic wrapping.
2. Screw the short post onto the bottom of the stem and ensure this is fully tightened. ①
3. Fit the assembled stem with post through the hole inside the marble base ② then fit locking washer and secure these into position using a box spanner inside the retaining nut. ③ **Do not fully tighten until you are sure the flat section of the vertical is central to the base.**
4. Carefully fit the horizontal stem onto the vertical stem whilst ensuring the screw protrudes the other side of the stem, use the lever to fasten the stems together. ④ **Do not over tighten., ensure no metal parts protrude the marble base.**
5. Fit bulb: type and wattage as indicated on fitting. ⑤ **The wattage indicated must not be exceeded.**
6. Table lamp is now ready for use.



Please retain this information leaflet for future reference

GENERAL INFORMATION

This product is designed for internal use only. **Do not use polish or abrasive cleaner – just a soft dry cloth.**