

RISHA GLASS TABLE LAMP ASSEMBLY INSTRUCTIONS

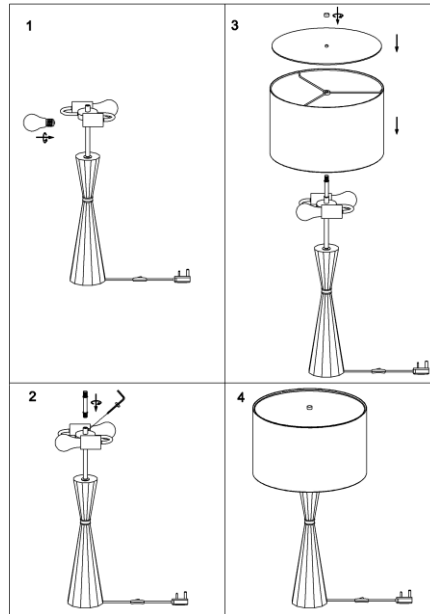
These instructions are provided for your safety.
Please read carefully before commencing work and retain for future reference.

SAFETY INFORMATION

- * If you are in any doubt consult a person competent to give advice on the assembly of electrical equipment.
- * If the external flexible cable of the lamp is damaged it shall be exclusively replaced by the manufacturer or his service agent or a similar qualified person in order to avoid a hazard.
- * To prevent electrocution switch off at the mains supply before assembling or maintaining this product. Ensure the plug is not connected to any power supply and read instructions before assembly.
- * Always unplug from the mains supply and allow the lamp to cool down before handling.

ASSEMBLY INSTRUCTIONS

- 1) Unpack the product and remove all packaging. Take care not scratch the surface of the product whilst removing wrapping.
- 2) Ensure product is not connected to the mains supply.
- 3) Fit the bulb, type and wattage as indicated on the product. **The wattage must not be exceeded.**
- 4) Locate and screw the short stem onto top of table lamp then use hex key to fully lock stem into position.
- 5) Fit the shade and then diffuser and secure these into position using the finial.
- 6) Your table lamp is now ready for use.



GENERAL INFORMATION

This product is designed for internal use only.
Do not use polish or abrasive cleaner – just a soft dry cloth

RISHA GLASS TABLE LAMP ASSEMBLY INSTRUCTIONS

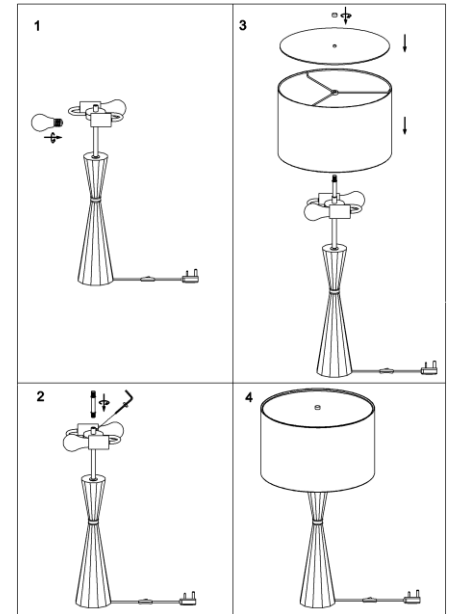
These instructions are provided for your safety.
Please read carefully before commencing work and retain for future reference.

SAFETY INFORMATION

- * If you are in any doubt consult a person competent to give advice on the assembly of electrical equipment.
- * If the external flexible cable of the lamp is damaged it shall be exclusively replaced by the manufacturer or his service agent or a similar qualified person in order to avoid a hazard.
- * To prevent electrocution switch off at the mains supply before assembling or maintaining this product. Ensure the plug is not connected to any power supply and read instructions before assembly.
- * Always unplug from the mains supply and allow the lamp to cool down before handling.

ASSEMBLY INSTRUCTIONS

- 1) Unpack the product and remove all packaging. Take care not scratch the surface of the product whilst removing wrapping.
- 2) Ensure product is not connected to the mains supply.
- 3) Fit the bulb, type and wattage as indicated on the product. **The wattage must not be exceeded.**
- 4) Locate and screw the short stem onto top of table lamp then use hex key to fully lock stem into position.
- 5) Fit the shade and then diffuser and secure these into position using the finial.
- 6) Your table lamp is now ready for use.



GENERAL INFORMATION

This product is designed for internal use only.
Do not use polish or abrasive cleaner – just a soft dry cloth